

# ELKAY® SPECIFICATIONS

## Dual Handle Kitchen Faucet Models LK2423 and LK2423BH

### GENERAL

**LK2423** Dual handle, top mount mixing faucet with escutcheon. Wing handles. Gooseneck swing spout with aerator. Overall height: 12-3/8", 9-7/8" from aerator to bottom of base. Finished in heavy chrome plate that exceeds U.S. government specifications. Removable cartridge. All operating parts are replaceable from above deck. Requires 1/2" I.P. connections on 8" centers. Requires three faucet holes. Ship. Wt. 4-3/4 lbs.

**LK2423BH** Same as **LK2423** except with 4" blade handles. Ship. Wt. 5-1/4 lbs.

### COMPLIES WITH:

ASME/ANSI A112.18.1

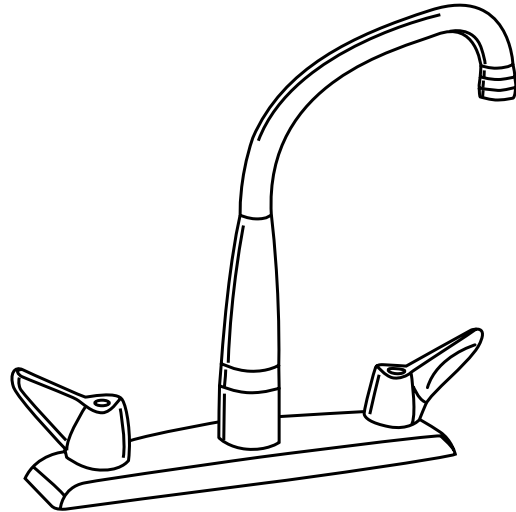
NSF/ANSI 61

ADA

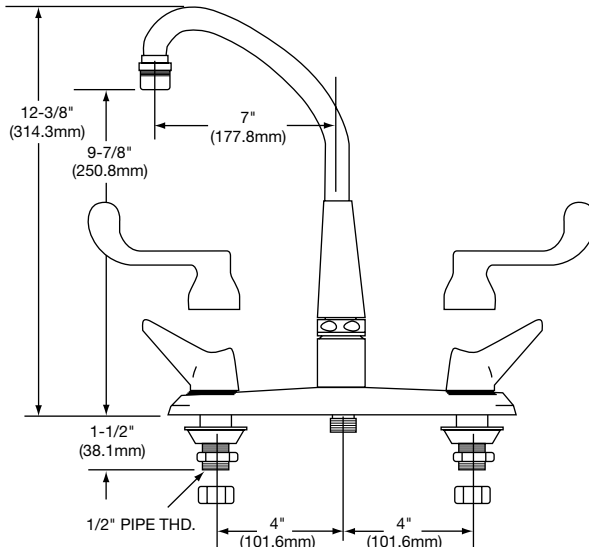
### MAXIMUM FLOW RATE

2.5 GPM/9.5 L/min AT 80 P.S.I.G.

2.2 GPM/8.3 L/min AT 60 P.S.I.G.



Model LK2423



### CARTRIDGE

Maintenance-free, drip-free washerless cartridge that is completely self-contained and easily removable.

A simple cam-activated movement of the diaphragm controls the flow of water with a feather-lite touch. Full off to full on with a 150° turn. No springs. No wearing action and no moving parts exposed to water.

### ELKAY LIMITED LIFETIME FAUCET WARRANTY ON RESIDENTIAL FAUCETS

#### Limited Lifetime Functional and Finish Warranty

Elkay warrants to the original consumer purchaser that the Elkay faucet purchased will be free from defects in material and workmanship for as long as the original consumer purchaser owns the faucet. Elkay will, at its option, supply replacement parts (or if no longer available a comparable product) if the faucet fails due to a defect in material or workmanship. This warranty does not apply in the event of product surface damage caused by abuse, misuse or improper care and maintenance. This warranty excludes damage caused by harsh or abrasive cleaners and/or materials. This warranty excludes all industrial, commercial and business use, whose purchasers are hereby extended a limited lifetime on mechanical parts and 5 years on finish. Product replacement does not include transportation cost or labor installation cost. Elkay reserves the right to examine product in question and its installation prior to replacement.

#### OTHER WARRANTY CONDITIONS ON FAUCETS

Our warranty does not cover product failure or damage caused by abusive treatment, misuse, environmental factors, improper care and cleaning, or damage due to handling or faulty installations. This warranty is extended only to the original consumer purchaser of the product. This warranty does not cover shipping costs, labor costs, or any other charges for such items as installation or replacement of the sink, diagnosis or replacement of any faucet or component part, or any other expense or loss.

All incidental or consequential damages are specifically excluded. No additional warranties, express or implied are given. Any implied warranty, including one of merchantability or fitness for a particular purpose, is limited to the duration of this written warranty.

Some states do not allow the exclusion or limitation of incidental or consequential damages or limitations on how long an implied warranty lasts, so the above limitations or exclusions may not apply to you.

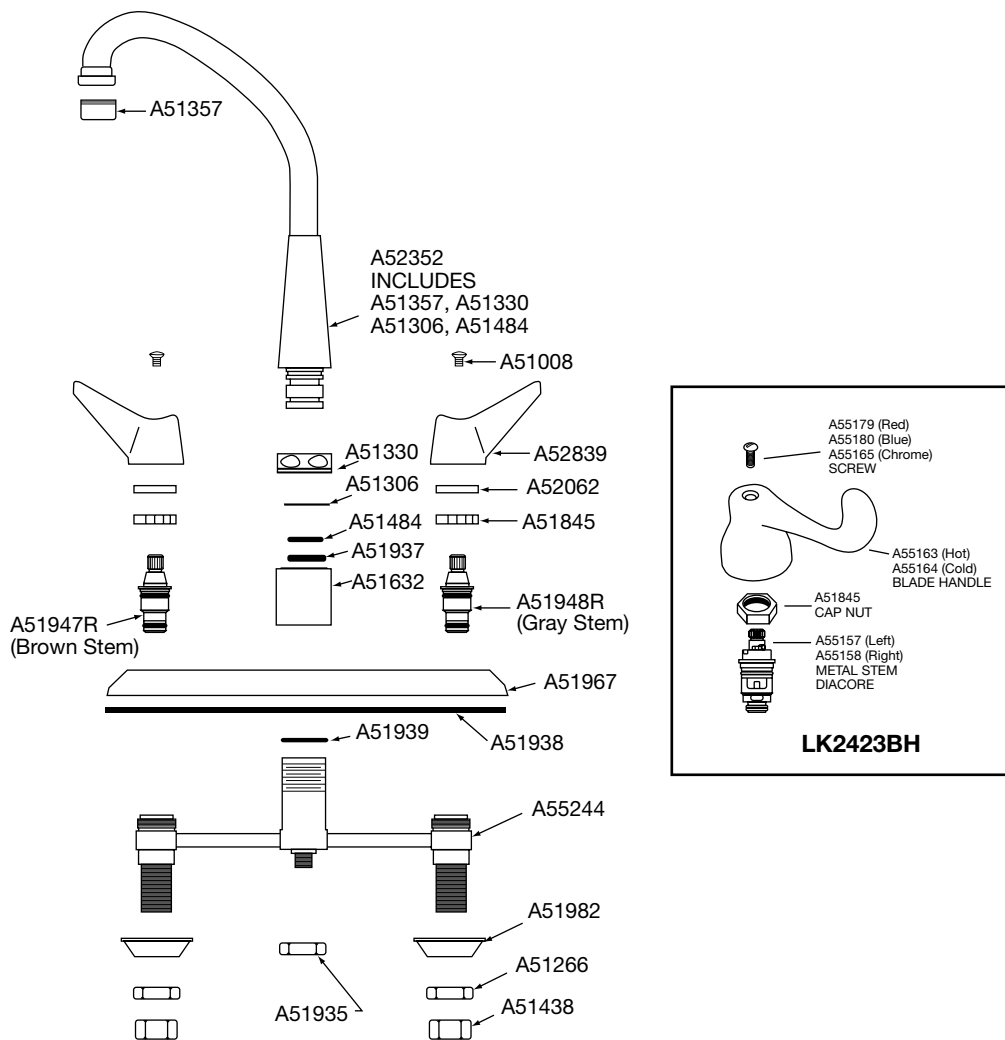
This warranty gives you specific legal rights, and you may also have other rights which vary from state to state.

#### TO OBTAIN SERVICE UNDER WARRANTY

1. Write to: Elkay  
Attention: Consumer Services  
2222 Camden Court  
Oak Brook, IL 60523
2. Include a letter containing the following information:
  - a. Date of purchase and installation
  - b. Description of nature of defect
  - c. Model number or description of model and/or component part if possible.

**Dual Handle Kitchen Faucet  
Models LK2423 and LK2423BH**

**ELKAY®  
PARTS LIST**



**PARTS FOR LK2423 / LK2423BH**

<b>PART NUMBER</b>	<b>PART DESCRIPTION</b>	<b>PART NUMBER</b>	<b>PART DESCRIPTION</b>
A51008	Handle Screw	A51948R	Cartridge Cold Side (Gray Stem)
A51266	Lock Nut	A51967	Escutcheon
A51306	Snap Ring	A51970	Hold Down Plate
A51330	Spout Nut	A51982	Washer
A51357	Aerator	A52352	Spout Assembly includes A51357, A51330, A51306, A51484
A51438	Coupling Nut	A55244	Waterway
A51484	"O" Ring	A52839	Wing Handle
A52062	Hex Nut	A55157	Metal Stem Diacore (Left)
A51632	Spacer Nut	A55158	Metal Stem Diacore (Right)
A51639	"O" Ring	A55163	Blade Handle (Hot)
A51845	Cap Nut	A55164	Blade Handle (Cold)
A51937	Spout "O" Ring	A55165	Screw (Chrome)
A51938	Gasket	A55179	Screw (Red)
A51935	Nut	A55180	Screw (Blue)
A51947R	Cartridge Hot Side (Brown Stem)		

Warning: Blade handles must only be used with A55157 and A55158 Metal Stem Diacore Cartridges.